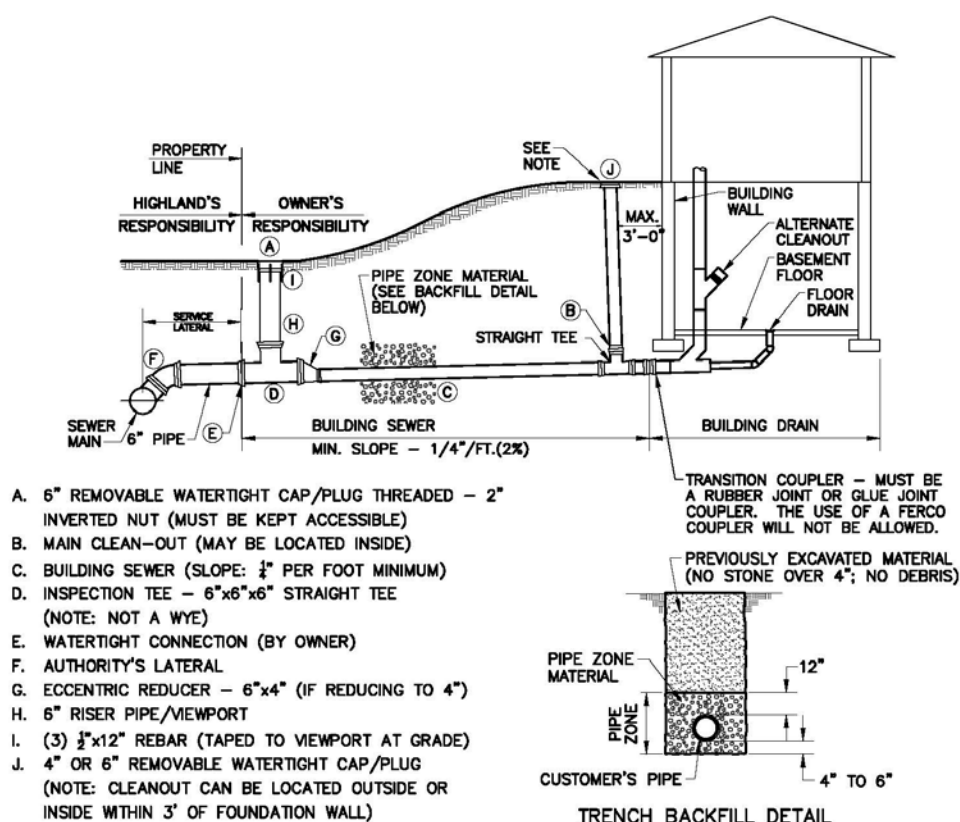


- No storm water or ground water is permitted to drain into the sanitary sewer system.
- No pipe smaller than 4" diameter is permitted for the building sewer.
- No bend greater than 45 degrees can be used on the sewer system.
- No rubber connectors (Fernco's) can be used on the sewer system that is buried, except when transitioning into a public lateral of different material. The use of "No Hub" or "Husky" couplings with a stainless steel sheer ring and 4 bands will be allowed if unable to use a traditional rubber joint or glue joint coupling.
- All Building Drain pipe and fittings must be Schedule 40 PVC and/or meet or exceed State-wide Building Codes.
- All Building Sewer pipe and fittings must meet or exceed the following specifications:
 - PVC (plastic) – SDR-35 (ASTM 3034) or Rubber Joint SCH-40, C-900, SDR-21
 - HDPE (High Density Polyethylene) DR-17 IPS (Iron Pipe Size)
 - DIP (ductile iron pipe) CL50, CL51 Double Cement Line (ANSI A.21.51, A.21.10)
- The Approved Transition Coupler between the SDR-35 Building Sewer pipe and Building Drain Sch. 40 must be a rubber joint or glue joint coupling, Fernco's are not allowed.
- All Building Sewer lines must be buried to a depth to prevent freezing (recommended min. depth is 4ft.)
- All Building Sewer lines must be properly bedded on a 4" layer of tamped stone (2A or 2B material) and upon inspection and approval by the authority inspector, backfilled with at least 12" of tamped stone above the sewer line with the remainder of the trench backfilled with suitable material.
- A clay plug must be installed around the pipe near the viewport to stop water flow from the sewer main ditch line to the building sewer ditch line and beyond.

NOTE: THE ENTIRE SEWER SYSTEM (BUILDING SEWER AND BUILDING DRAIN) MUST BE LEFT UNCOVERED FOR AN INSPECTION BY THE AUTHORITY'S REPRESENTATIVE. AT A MINIMUM, THE INSTALLER MUST NOTIFY THE AUTHORITY 24 HOURS IN ADVANCE TO SCHEDULE SUCH INSPECTION. BACKFILLING CAN ONLY BEGIN AFTER THE AUTHORITY'S INSPECTOR HAS APPROVED THE SEWER INSTALLATION.

All prospective sewer customers wishing to be connected to Highland's sanitary sewer system shall demonstrate, to the Authority's satisfaction, that all buried sewer piping intended to be connected to the Highland facilities is in a watertight condition by performing either of two testing methods, Air or Water – and in accordance with the applicable state building code, and such Testing must be witnessed and approved by the Authority Inspector who will provide written approval and acceptance, when warranted, on the Authority's Inspection Form. No customer may remain connected to the Highland sewer lateral without securing such written authorization by signature of the Authority Inspector.



- 6" REMOVABLE WATERTIGHT CAP/PLUG THREADED – 2" INVERTED NUT (MUST BE KEPT ACCESSIBLE)
- MAIN CLEAN-OUT (MAY BE LOCATED INSIDE)
- BUILDING SEWER (SLOPE: $\frac{1}{4}$ " PER FOOT MINIMUM)
- INSPECTION TEE – 6"x6"x6" STRAIGHT TEE (NOTE: NOT A WYE)
- WATERTIGHT CONNECTION (BY OWNER)
- AUTHORITY'S LATERAL
- ECCENTRIC REDUCER – 6"x4" (IF REDUCING TO 4")
- 6" RISER PIPE/VIEWPORT
- (3) $\frac{1}{2}$ "x12" REBAR (TAPED TO VIEWPORT AT GRADE)
- 4" OR 6" REMOVABLE WATERTIGHT CAP/PLUG (NOTE: CLEANOUT CAN BE LOCATED OUTSIDE OR INSIDE WITHIN 3' OF FOUNDATION WALL)